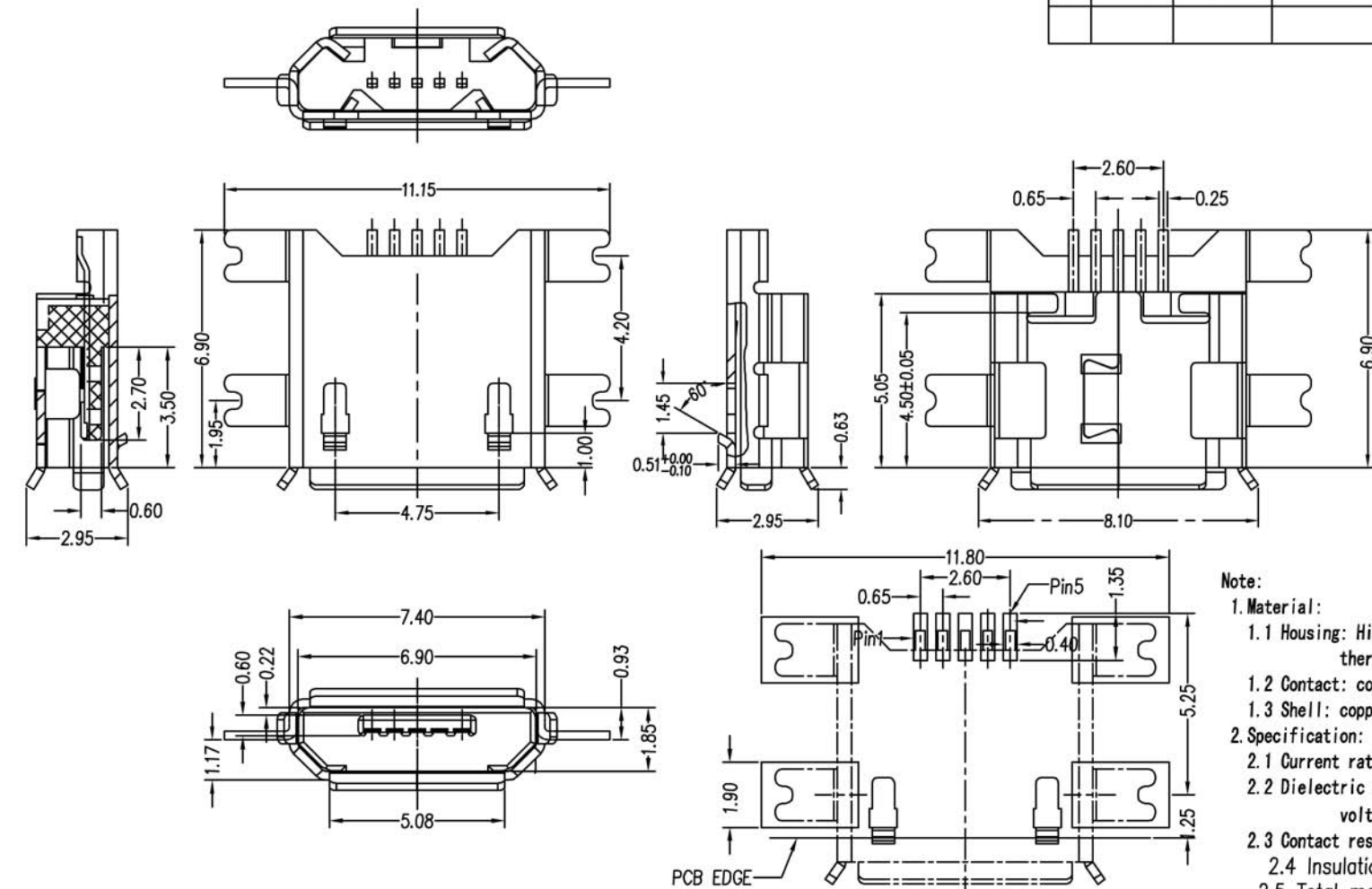


REV.	ECN NO	LOCATIONS	DESCRIPTION	DATE	REVSER	APPD

A
B
C
D
E
F

A
B
C
D
E
F



- Note:**
- Material:
 - Housing: High temperature thermoplastic with g. f. UL94v-0
 - Contact: copper alloy, t=0.20mm
 - Shell: copper alloy, t=0.25mm
 - Specification:
 - Current rating: 1 A Max.
 - Dielectric withstanding voltage: 100 V(ac) for 1 min.
 - Contact resistance: 50 mΩ Max.
 - Insulation resistance: 100 MΩ Min.
 - Total mating force: 3.57 Kgf Max.
 - Total unmating force: 1.0 Kgf Min. 0.81~2.05 Kgf Min. after 10000 insertion/extraction cycles
 - Temperature range: -30°C~80°C

Order Information:
1-MD05SMXXX-01
 ① ② ③ ④ ⑤ ⑥ ⑦ ⑧ ⑨

RECOMMENDED PCB LAYOUT

- | | | | |
|----------------|-----------|--------------------|------------------|
| 1: Assy. | 5: Style | 7: Contact plating | 8: Shell plating |
| 2: Series No. | M: Smt | 1: 1u" | T: Tin |
| 3: Contact No. | 6: Color | 2: 3u" | N: Nickel |
| 05: 5 pos. | B: Black | 3: 5u" | A: Au plated all |
| 4: P: Plug | W: White | 4: 15u" | B: None |
| S: Socket | N: Nature | 5: 30u" | ... |

3	Shell	1	N/A
2	Contact	5	N/A
1	Housing	1	N/A
No.	Name	Q'ty	Finish

PART NO:	1-MD05SMXXX-01	MATERIAL:	SEE NOTE
MODEL NO:		FINSH:	SEE NOTE
UNIT:	mm	COLOR:	SEE NOTE
SIZE:	A4	DR:	???
TOLERANCE UNSPECIFIED		CHK:	
.x	±0.38	APP:	
.xx	±0.25		
.xxx	±0.13		
ANG.	±2°		

TITLE: Micro usb 5s B Type (破板式) Smt	
CUSTOMER DRAWING	
DWG NO:	A055
SCALE:	1:1
SHEET:	1/1
REV:	A

1 2 3 4 5 6 7 8